
SAFETY INSTRUCTIONS

General use



WARNING!

The sod cutter can be dangerous if used improperly or with out due care and can lead to serious accidents, in the worst cases even fatal accidents. It is very important that the operator read, understand and follow this operator's manual and understand the instructions before you attempt to use the machine.



WARNING!

This symbol means that important safety instructions need to be emphasized. It concerns your safety.

IMPORTANT INFORMATION

Do not use the machine until you have read the operator's manual carefully and understand and follow the instructions given. Failure to follow these safety instructions could result in serious injury or death. All maintenance work or adjustments not described in this manual must be performed by an authorized BlueBird service workshop.

The object of this manual is to help you use your BlueBird machine safely and to give you information about how to maintain your machine. Please read the manual carefully before attempting to use the machine.

If after reading the operator's manual you are still unsure about the safety risks associated with use of the machine, you should not use the machine. Please contact your dealer for more information.

These safety instructions only address the basics for safe use. It would be impossible in the safety instructions to describe all possible risk situations that could arise when using the machine. You can, however, prevent accidents by always using common sense.

To obtain extra copies of the operator's manual, please contact your dealer.

Read the operating and service instruction manual carefully. Be thoroughly familiar with the controls and the proper use of the equipment. Know how to stop the unit and disengage the controls quickly.



WARNING!

Under no circumstances may the original design of the machine be modified without written approval from the manufacturer. Such modifications not only affect the performance and durability of the machine but may even pose a safety risk for users and those in the vicinity. Unauthorized modifications to the design of the machine may absolve the manufacturer from liability for any resulting personal injury or property damage. Modifying the machine without written approval from the manufacturer will void the warranty.

SAFETY INSTRUCTIONS

- Read, follow and understand all safety instructions before using the machine. Failure to do so may result in injury to yourself or others.
- Accident prevention regulations, other general safety regulations, occupational safety rules and traffic regulations must be followed without fail.
- Only allow responsible adults, who are familiar with the instructions, to operate the machine.
- Engage an authorized BlueBird dealer for all service and repairs not described in this manual.
- BlueBird original spare parts are designed and specified to maintain high quality and correct fit for optimal durability and life-span. From a safety point of view, you should only use BlueBird original spare parts.
- Only use the machine for removing sod. It is not intended for any other use.
- Check that the machine is in serviceable condition prior to use; see the chapter "Maintenance/Maintenance schedule".
- Only use the machine in daylight or in other well-lit conditions. Keep the machine a safe distance from holes or other irregularities in the ground. Pay attention to other possible risks.
- People and animals can distract you, causing you to lose control of the machine. For this reason, you should always concentrate and focus on the task at hand.
- Never leave the machine unsupervised with the engine running.
- The machine is tested and approved only with the equipment originally provided or recommended by the manufacturer.



WARNING!

The engine can become very hot. To avoid being burned, you must turn off the engine and wait until all parts have cooled before touching the engine.



WARNING!

Overexposure to vibration may lead to circulatory or nerve damage, particularly in people who have impaired circulation. Contact your doctor if you experience symptoms that could have been caused by overexposure to vibration. Examples of common symptoms include numbness, pain, muscle weakness, change of skin color or an uncomfortable feeling of tingling. These symptoms appear most frequently in the fingers, hands or wrists.

IMPORTANT INFORMATION

Never use a sod cutter that is damaged or incorrectly adjusted. Never use the sod cutter if any component is missing or if it is not properly assembled. If you find yourself in a situation where you are not sure what to do, always seek expert assistance. **DO NOT** try to resolve any problem you are not qualified to repair.



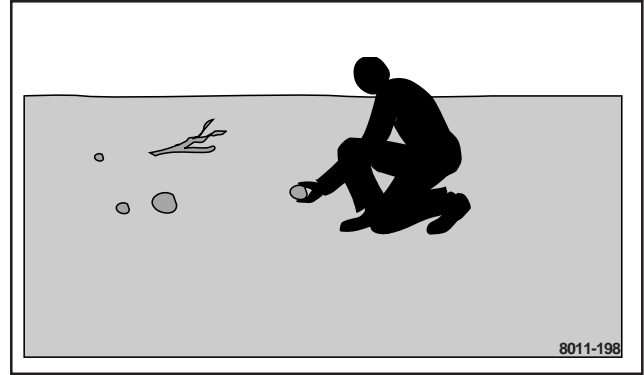
WARNING!

Engine exhaust and certain vehicle components contain or emit chemicals considered to cause cancer, birth defects, or other reproductive system damage. The engine exhaust contains carbon monoxide, which is a odorless, colorless, poisonous gas. Do not use the machine in enclosed spaces.

SAFETY INSTRUCTIONS

Preparations

- Make sure that you always have first aid equipment at hand when using the machine.
- Make sure nobody else is in the vicinity of the machine when you start the engine, engage the drive or run the machine.
- Keep the area of operation clear of all persons, particularly small children, and pets.
- Keep in mind that the operator or user is responsible for accidents or hazards occurring to other people, their property, and themselves.
- Thoroughly inspect the area where the equipment is to be used and remove all foreign objects.
- Find and locate all fixed objects in the ground, such as sprinkler systems, poles, water valves, bases for washing lines, etc. Be certain to check for hidden electrical cables or similar in the surface of the lawn. Always run the machine around these objects. Never intentionally run the machine over foreign objects.
- Check that the throttle grip and all guards are fitted and functioning. **DO NOT** use the machine if it is not working properly.
- Make sure no clothing, long hair or jewelry can catch in moving machine parts.
- Check that all safety decals are in place.
- Do not operate the equipment without wearing adequate outer garments. Wear protective footwear that will improve footing on slippery surfaces.
- Never attempt to make any adjustments while the engine (motor) is running (except where specifically recommended by the manufacturer).
- Shift into neutral before starting the engine (motor).



Clear the work area before beginning work.

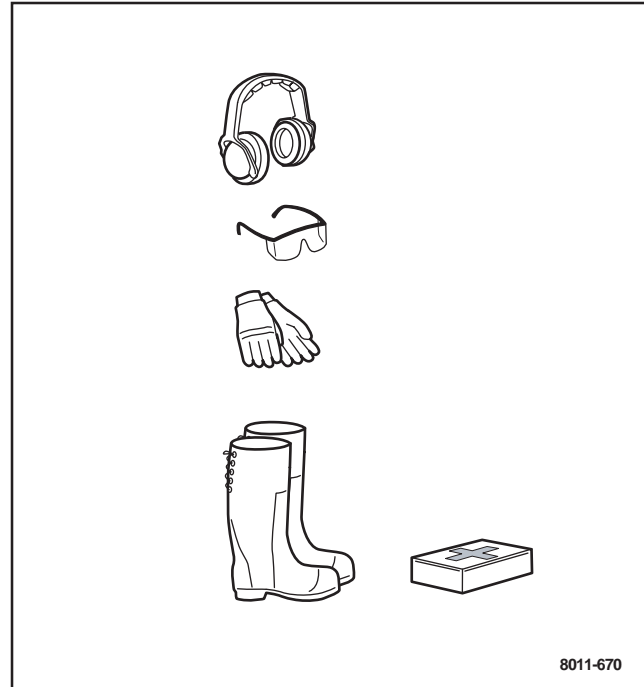
SAFETY INSTRUCTIONS



WARNING!

Always use approved personal protective equipment (as shown in illustration) when using the machine. Protective clothing and protective equipment cannot eliminate the risk of accidents, but wearing proper clothing and the correct equipment will reduce the degree of injury should an accident occur. Ask your dealer about approved protective clothing and approved protective equipment recommended by BlueBird.

- Make sure that you have first aid equipment close at hand when using the machine.
- Never use the machine when barefoot. Always wear protective shoes or boots, preferably with steel toecaps.
- Always wear approved protective glasses or full visor when assembling or cutting sod.
- Always wear gloves when handling the blades.
- Never wear loose clothing that can get caught in moving parts.
- Use ear protectors to avoid damage to hearing.



Use appropriate equipment.

1. Ear protection
2. Protective glasses
3. Protective gloves
4. First aid kit
5. Protective boots or steel-toed shoes

SAFETY INSTRUCTIONS

Operating

- **DO NOT** use the machine on grades of more than 25%.
- **DO NOT** use the machine if you are tired, if you have consumed alcohol, or if you are taking other drugs or medication that can affect your vision, judgment or coordination.
- Never use the machine indoors or in spaces lacking proper ventilation.
- Make sure you have a proper foothold when using the machine, particularly when backing. Walk, don't run. Never work on wet grass. Poor traction may cause you to slip.
- Do not put hands or feet near or under moving or rotating parts.
- Smoking, open flames or sparks in the vicinity of the machine are strictly forbidden. Gasoline is extremely flammable and carelessness in handling can result in personal injury or fire.
- Never refuel the machine in a building or enclosed trailer.
- Never use a machine with a defective muffler.
- This machine was designed for sod cutting only. It is not intended for any other use.
- After striking a foreign object, stop the engine (motor), remove the wire from the spark plug, thoroughly inspect the machine for any damage, and repair the damage before restarting and operating the machine.
- Exercise extreme caution when operating on or crossing gravel drives, walks, or roads. Stay alert for hidden hazards or traffic. Do not carry passengers.
- Exercise caution to avoid slipping or falling.



8011-091

Make sure you keep your hands and feet away from moving parts.

SAFETY INSTRUCTIONS

- If the unit should start to vibrate abnormally, stop the engine (motor) and check immediately for the cause. Vibration is generally a warning sign of trouble.
- Stop the engine (motor) when leaving the operating position, and when making any repairs, adjustments, and inspections.
- Take all possible precautions when leaving the machine unattended. Disengage the power take-off, raise the attachment, shift into neutral, stop the engine.
- Before cleaning, repairing, or inspection, shut off the engine and make certain all moving parts have stopped. Disconnect the spark plug wire, and keep the wire away from the plug to prevent accidental starting.
- Do not operate the engine in a confined space where dangerous carbon monoxide fumes can collect.
- Never operate the machine without proper guards, plates, or other safety protective devices in place.
- Keep all bystanders (including children) and pets out of the sod cutting area. Never assume that children will remain where you last saw them.
- Keep children in the watchful care of a responsible adult other than the operator.
- Do not overload the machine capacity by attempting to cut too deep at too fast a rate.
- Never operate the machine at high transport speeds on hard or slippery surfaces.
- Use only attachments and accessories approved by the manufacturer of the machine (such as wheel weight, counterweights, and the like).
- Never operate the sod cutter without good visibility or light.
- Be careful when cutting in hard ground. If you lose control, let go of the handles and do not restrain the machine.
- Use extreme caution when reversing or pulling the machine towards you.
- Do not change the engine governor settings or overspeed the engine.
- Start the engine or switch on the motor carefully according to instructions and with feet well away from the cutting blade.
- Do not operate the sod cutter while under the influence of alcohol or drugs.

SAFETY INSTRUCTIONS

Movement/Transport

- To turn and steer the machine, press down on the handle and turn on the back wheels.
- Turn off the engine and allow it to cool at least 2 minutes before transport.
- We recommend only loading and unloading in the transport mode on a well secured ramp, do not lift, the unit is too heavy.
- Fasten the machine properly in place with approved fasteners, such as tension belts, chains or straps. Always check that you are in compliance with applicable traffic regulations before transporting the machine.
- Follow manufacturer's recommendations for safe loading, unloading, transport, and storage of machine.

Storage

- Never store the machine with fuel in the fuel tank inside a building where ignition sources are present, such as hot water and space heaters, clothes dryers, and the like. Allow the engine to cool before storing in any enclosure.
- Store the machine with the fuel valve closed.
- Store the machine in a locked space away from children and adults untrained in use of the machine.
- Always refer to the operator's manual for important details if the sod cutter is to be stored for an extended period.

Children

Serious accidents can occur if you fail to be on guard for children in the vicinity of the machine. Never assume that children will stay put where you last saw them.

- Keep children away from the machine.
- Keep children away from the sod cutting area and under close supervision by another adult.
- Keep an eye out and shut off the machine if children enter the work area.
- Never allow children to operate the machine.
- Be particularly careful near corners, bushes, trees or other objects that block your view.

SAFETY INSTRUCTIONS

Fuel system

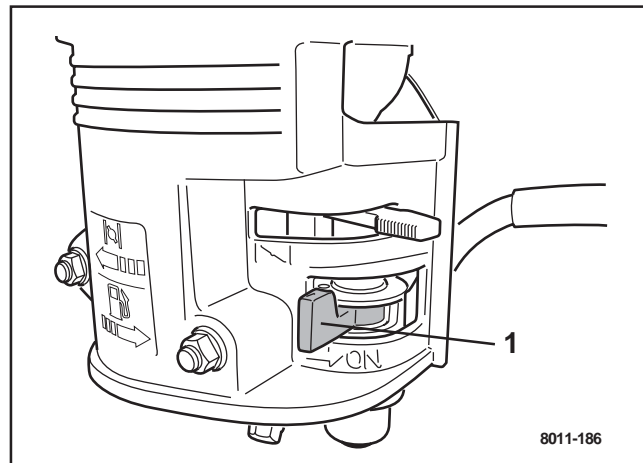


WARNING!

Fuel is highly flammable, Take the following precautions:

Safe Handling of Gasoline

- To avoid personal injury or property damage, use extreme care in handling gasoline. Gasoline is extremely flammable and the vapors are explosive.
 - Extinguish all cigarettes, cigars, pipes, and other sources of ignition.
 - Use only approved gasoline container.
 - Never remove gas cap or add fuel with the engine running. Allow engine to cool at least two (2) minutes before refueling.
 - Never fuel the machine indoors.
 - Never store the machine or fuel container where there is an open flame, spark, or pilot light such as on a water heater or other appliances.
 - Before you begin refueling, minimize the risk of static electricity by touching a metal surface.
 - Never fill containers inside a vehicle or on a truck or trailer bed with plastic liner. Always place containers on the ground away from your vehicle when filling.
 - Remove gas-powered equipment from the truck or trailer and refuel it on the ground. If this is not possible, then refuel such equipment with a portable container, rather than from a gasoline dispenser nozzle.
 - Keep the nozzle in contact with the rim of the fuel tank or container opening at all times until fueling is complete. Do not use a nozzle lock-open device.
 - If fuel is spilled on clothing, change clothing immediately.
 - Never overfill fuel tank. Replace gas cap and tighten securely.
- Do not start the engine near spilled fuel.
 - Never use gasoline as a cleaning agent.
 - If leaks arise in the fuel system, the engine must not be started until the problem has been resolved.



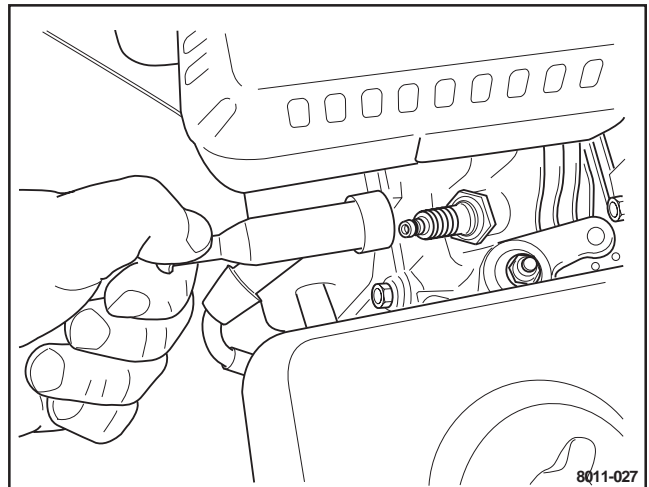
Close the fuel valve.

1. Fuel Valve

SAFETY INSTRUCTIONS

Maintenance

- Never operate machine in a closed area.
- Never tamper with safety devices. Check their proper operation regularly.
- Never make any adjustments or repairs with the engine running.
- If you strike a foreign object, stop and inspect the machine, Repair, if necessary, before restarting.
- Disengage the drive units, shut off the engine and wait until all moving parts come to a complete stop before making adjustments, performing maintenance or cleaning the machine.
- Disconnect the spark plug cable before beginning repair work.
- Keep machine, attachments, and accessories in safe working condition. Maintain or replace safety and instruction labels, as necessary.
- Blades are sharp. Wrap the blade or wear gloves, and use extra caution when servicing them.
- Never allow persons not trained in the use of the machine to perform service on it.
- Always park the machine on even ground before performing maintenance or making adjustments.
- Do not disassemble the engine. This can invalidate your engine warranty. Contact your dealer if you have any questions regarding service or guarantee matters. Follow all maintenance instructions.
- Do not change the setting of governors and avoid running the engine over 3000 RPM. If you run the engine faster than this, you risk damaging the machine components.
- Do not modify safety equipment. Check regularly to be sure it works properly. The machine must not be run with defective or unmounted protective plates, protective cowlings, safety switches, or other protective devices.
- The muffler is designed to maintain sound levels at an approved level and keep direct exhaust away from the user. Exhaust gases from the engine are extremely hot and may contain sparks that can cause fires or burn the user.
- Never use a machine with a defective muffler.



Remove the spark plug cable.



WARNING!

Wait until all moving parts are completely still before performing maintenance on the machine.

Turn off the engine and remove the spark plug cable.

- Keep machine free of grass, leaves, or other debris build-up. Clean oil or fuel spillage and remove any fuel-soaked debris. Allow machine to cool before storing.
- Keep all nuts and bolts tight to be sure the equipment is in safe working condition.
- If the fuel tank has to be drained, do this outdoors.
- The machine is tested and approved only with the equipment originally provided or recommended by the manufacturer. Only use approved repair parts for the machine.
- Regularly clean machine and underside, avoid spraying engine and electrical components with water.

SAFETY INSTRUCTIONS

Customer responsibilities

- Read and observe the safety rules.
- Follow a regular schedule in maintaining, caring for and using your mower.
- Follow the instructions under “Maintenance” and “Storage” sections of this owner’s manual.
- This machine has no brain. Use yours!



WARNING!

This unit is equipped with an internal combustion engine and should not be used on or near any unimproved forest-covered, bush-covered or grass-covered land unless the engine’s exhaust system is equipped with a spark arrester meeting applicable local or state laws (if any). If a spark arrester is used, it should be maintained in effective working order by the operator.

A spark arrester for the muffler is available through your authorized BlueBird dealer.

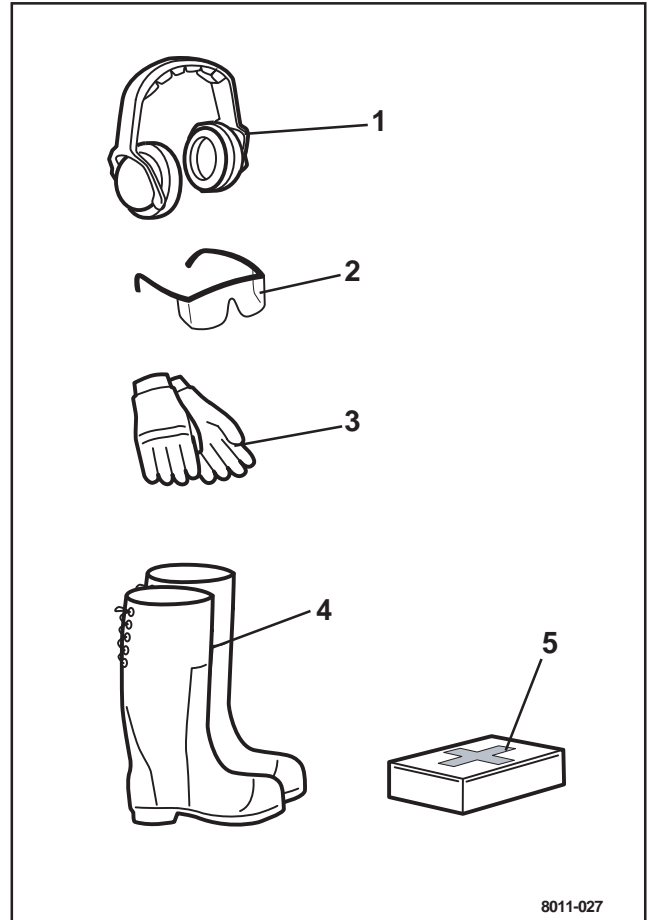
PROTECTIVE EQUIPMENT

Personal equipment

Consult your BlueBird dealer when selecting protective equipment. Our dealers have a broad assortment of equipment for professionals such as forestry workers and knowledge about occupational environment requirements and protective levels.

We recommend the following personal protective equipment:

1. Ear protection
2. Protective glasses
3. Protective gloves
4. First aid kit
5. Protective boots or steel-toed shoes



8011-027